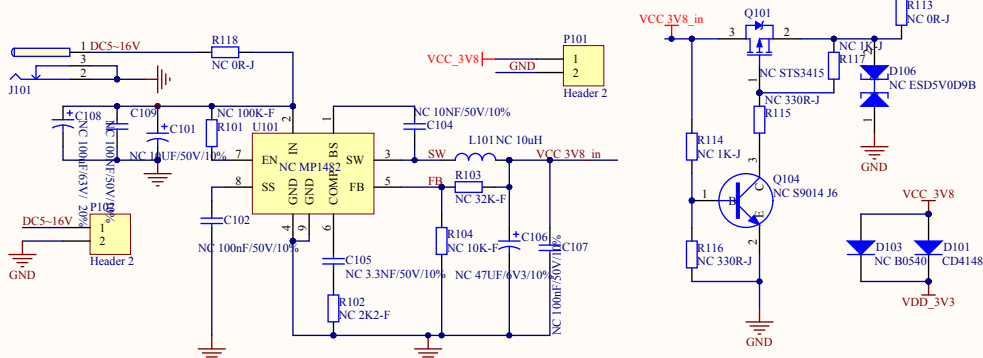
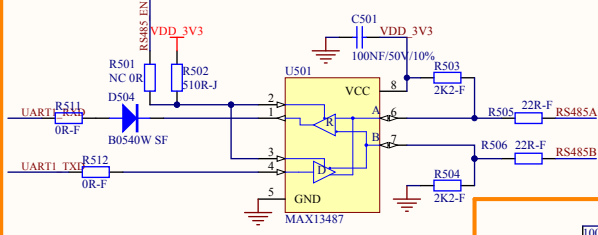


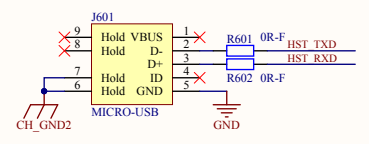
## POWER(1)



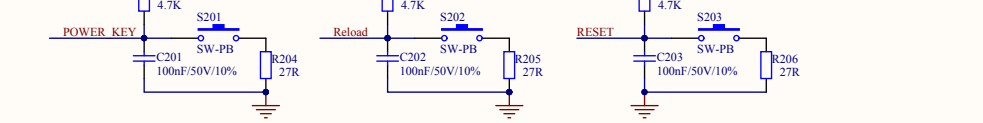
## RS485(5)



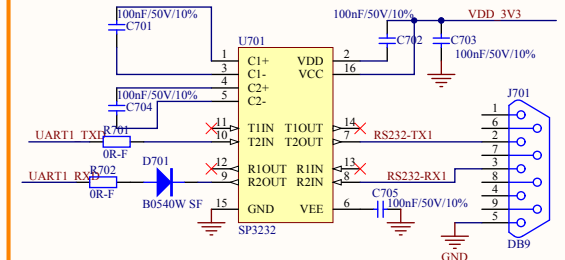
## USB(6)



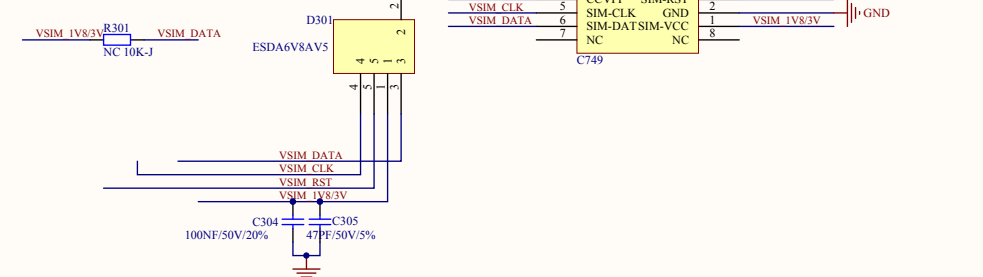
## 按键(2)



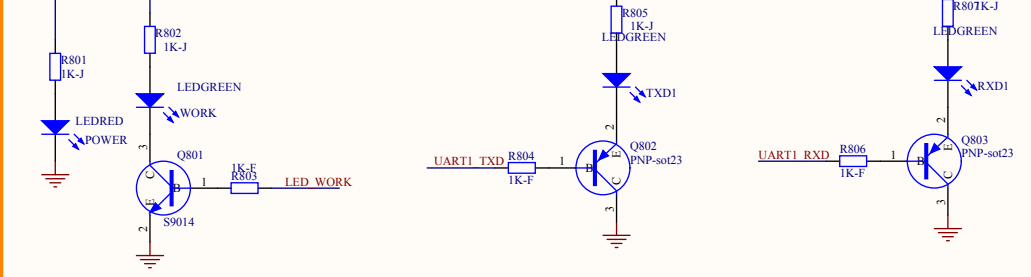
## RS232(7)



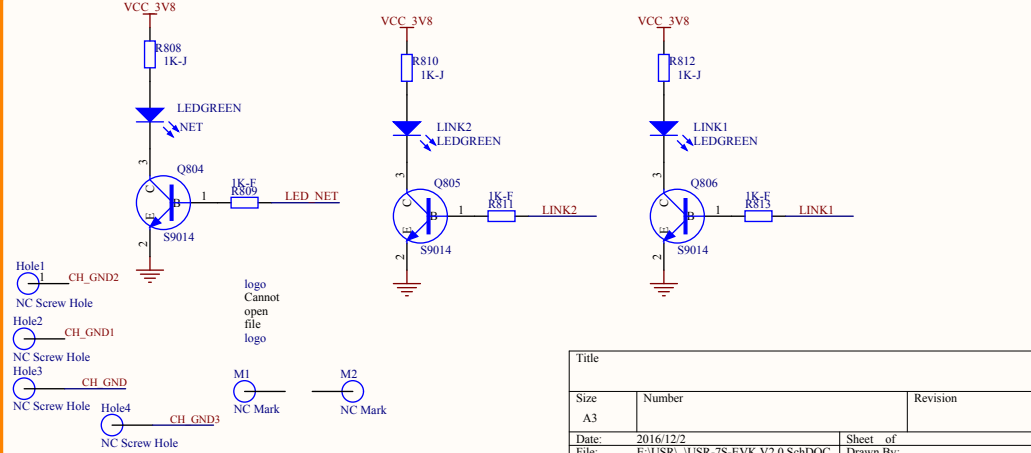
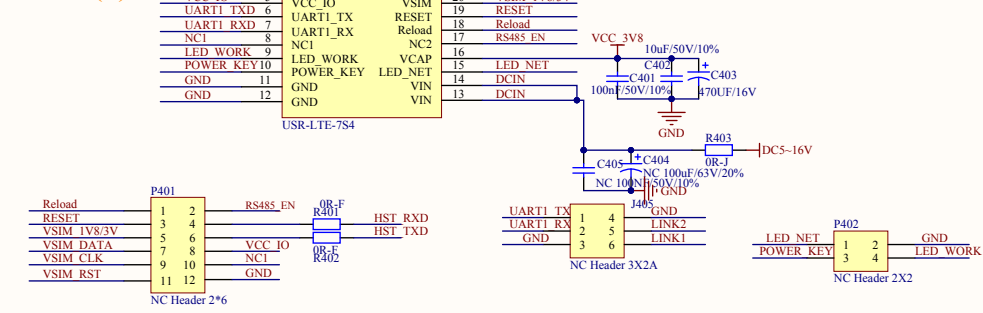
## SIM(3)



## LED(8)



## 按键(4)



Title		
Size	Number	Revision
A3		
Date:	2016/12/2	Sheet of
File:	E:\USR\USR-7S-EVK V2.0\SchDOC	Drawn By: