

Serial-to-GPRS DTU



Model: USR-GPRS232-710

Overview

USR-GPRS232-710 is a cost effective GPRS DTU, which allows almost any RS232 / RS485 devices to transmit data through GPRS / GSM network.

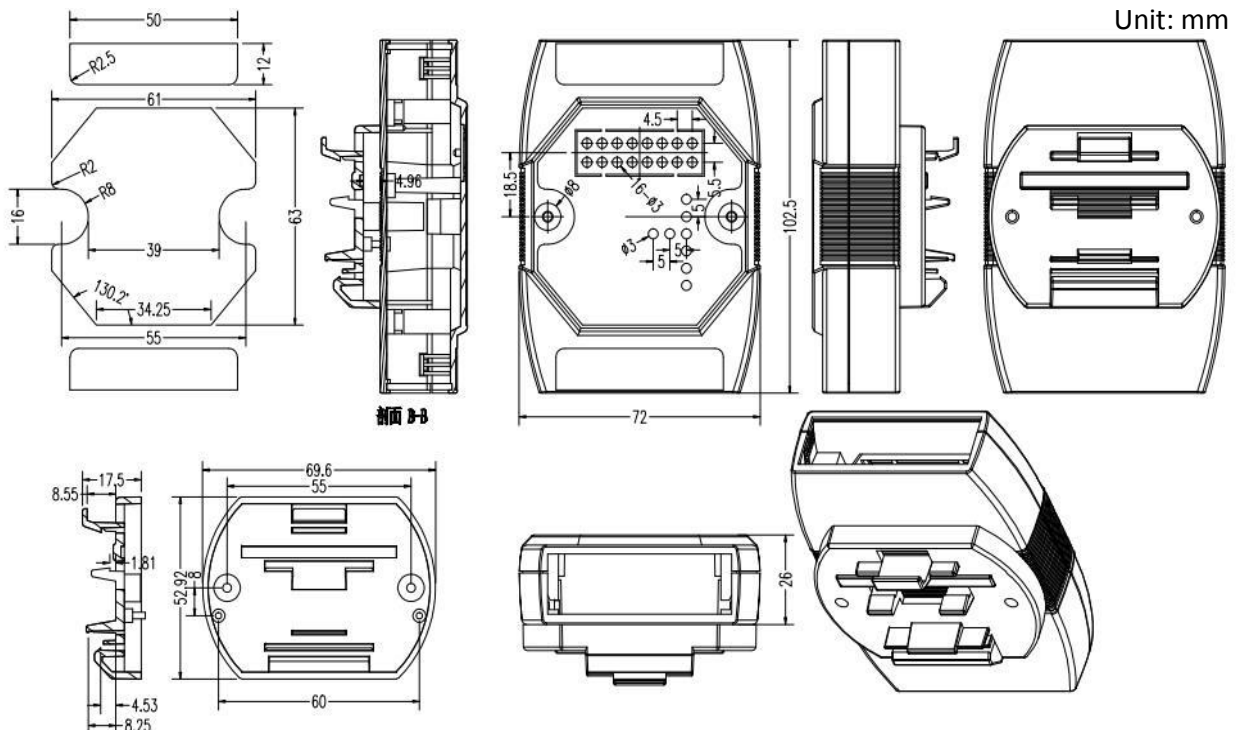
This serial server can realize two-way data transparent transmission between COM and GPRS / GSM network by using a SIM card.

Main Features

- ◆ Support virtual serial port, FREE software is available
- ◆ Use single module, embedded TCP / IP Protocol stack, without external CPU, Higher stability
- ◆ Support public and APN network access
- ◆ Support heartbeat, Always Online mode, can keep connection with server
- ◆ Support KEEP-ALIVE, to maintain connection if there is no heartbeat packet
- ◆ Support network connection in Max 4 Channel, can send data from serial port to different servers
- ◆ Transparent transmission, can take place of data transfer radio, don't need to change your original system
- ◆ Aluminum alloy case, shielding external disturbance effectively
- ◆ Support configure by Computer set-up software / Serial AT Command / SMS AT Command



Dimensions



■ ■ ■ Specifications

Network	
Standard	GSM / GPRS
Speed	14.4 Kbps ~ 57.6 Kbps
Standard Frequency	850 / 900 / 1800 / 1900MHz
GPRS Multi-slot Class	GPRS Class 10
GPRS Device Class	Class B
GPRS Coding Schemes	CS1 ~ CS4
Max Launch Power	GSM900 class4 (2W)
	DCS1800 class1 (1W)
Application	GSM standard AT instruction set
	USR extension AT instruction set
	Data transmission SMS transmission
Network Protocol	TCP, UDP, DNS, Httpd client
Network Link Count	4
Disconnection Buffer	4 x 15K Bytes
Network Buffer	Send: 15K Bytes
	Receive: 30K Bytes

Basic Parameter	
Size	119 x 72 x 34.5 mm (L*W*H)
Operating Temp.	-40 ~ 85°C (industry)
Storage Condition	-40 ~ 125°C
	5 ~ 95% RH (no condensation)
Input Voltage	DC 5 ~ 28V
Working Current	Average: 100 ~ 200mA / 12V
	Max: 1200mA / 12V

Device Interface	
Antenna Interface	50Ω / SMA - K (female terminal)
SIM Card	1.8V / 3V
Speech Interface	Null

Serial	
Port Number	1-port
Interface Standard	RS-232 : DB9 (female)
	RS-485 : 3 wire (A,B,G)
Data Bits	5, 6, 7, 8
Stop Bit	1, 2
Check Bit	None, Even, Odd
Baud Rate	300 bps ~ 115200 bps
Serial Buffer	Send: 1K Bytes
	Receive: 1K Bytes
Flow Control	Null
Software	
DNS	Support
Virtual Serial Software	Windows 2000 or higher (32 bit / 64 bit)
More	
Warranty	2 years

Jinan USR IOT Technology Limited

Tel: 86-531-88826739

Email: sales@usriot.com

Web: www.usriot.com

Support: h.usriot.com

