

USR-TCP232-D Serial to Ethernet Module

USR-TCP232-D Introduction

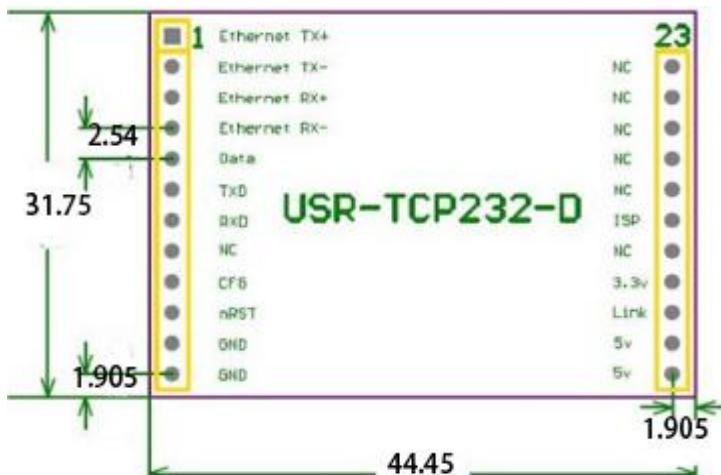
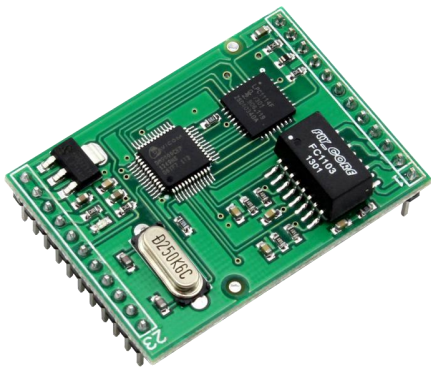
It is a data transparent transmission equipment for converting TCP or UDP socket data to serial UART.

It has characters of small size, low power consumption, ARM processor, quick speed and high stability.

USR-TCP232-D Features

- ◎10/100M auto detect interface, 3.3 V TTL level
- ◎Support AUTO MDI/MDIX , Can use a crossover cable or parallel cable connection
- ◎Work model : TCP Server /TCP Client /UDP Server /UDP Client
- ◎Network protocol : ETHERNET /ARP/ IP /UDP/ TCP /ICMP
- ◎Pin type , 32 bits ARM CPU inside
- ◎Unique heartbeat package mechanism to ensure connection is reliable , put an end to connect feign death.
- ◎Can work in LAN, also can work on the Internet
- ◎Across the gateway, across switches, routers.
- ◎Under UDP mode, Packet Broadcast is prohibited , with stronger anti-interference ability;
- ◎Serial port baud rate : from 300 to 790 Kbps
- ◎Virtual serial port supported

USR-TCP232-D Size(Unit : mm)



Specification

System information

Processor	ARM
Flash	32K byte

Ethernet

Port Number	1
Interface Standard	4 Pin interface TX+,TX-,RX+,RX-
Rate	10/100 Mbps, MDI/MDI auto switch between cross and direct connection
Buffer	Send : 2K bytes Receive : 1K bytes
Network Protocol	IP / TCP / UDP / ARP / ICMP
Protection	1.5KV electromagnetism isolation

Serial

Ports	1-Port
Interface	TTL : 2.54 Pin 3.3V
Baud Rate	TTL : 300 bps ~ 790 Kbps
Data Bits	5, 6, 7, 8
Stop Bit	1, 2
Check Bit	None, Even, Odd, Space, Mark
Flow Control	Null
Buffer	Rx : 800 bytes Tx : Null
RS-485 Resistor	Null, reserved 485 send-receive control pin

Software

Virtual Serial	Windows 2000 or higher (32 bit/64 bit)
Configuration	Computer set-up software/ Serial command

Parameter

Dimensions	44 x 32 x 15.4 mm
Operating Temp	-25~ 75°C
Storage Temp	-40~ 85°C,5 ~ 95% RH (no condensation)

Power

Input	VCC : 3.0 ~ 3.6V VDD : 4.75~7.0V
Working Current	150mA (aver) / 200mA (max) @3.3V 150mA (aver) / 200mA (max) @ 5V

Consumption	<1W
-------------	-----

Accessories

Power Adapter	Null
DB9 cable	Null

More

Certificate	CE,FCC
Warranty	2 Years

Jinan USR IOT Technology Limited

Tel: 86-531-88826739

Email: sales@usriot.com

Web: www.usriot.com

Support: h.usriot.com

