



USR-SH800

Integrated Screen of IOT

Internet of Things integrated screen

New Features Industrial Control Series



4-core 64-bit high-performance ARM architecture CPU Linux Ubuntu 20.04

WukongEdge

Built-in configuration

10.1 inch touch screen



Product introduction

USR-SH800 is a high-performance IoT integrated screen with outstanding advantages. Its core configuration is excellent, equipped with RK3568 chip, 4-core 64-bit ARM architecture CPU, main frequency up to 2.0G, smooth operation. Built-in WukongEdge edge application, edge calculation, configuration and other functions in one, simple configuration can realize data acquisition, calculation and reporting, combined with configuration to complete local display. CPU integrated computing performance 1.0 TOPS AI neural network processor NPU, support a variety of AI development tools and interfaces.

On the system, built-in Linux Ubuntu 20.04 system, desktop operation is easy to develop. Rich hardware interfaces, perfect drivers, multi-channel serial ports, USB3.0, HDMI and other interfaces adapt to various scenarios. Flexible installation mode, support rail and lug installation, process is fast. Whether it is performance, functionality, system, hardware and installation, the USR-SH800 demonstrates excellent quality and practicality, making it ideal for IoT applications.



Intelligent warehouse logistics



**Intelligent Agricultural
Environmental**



Intelligent Transportation

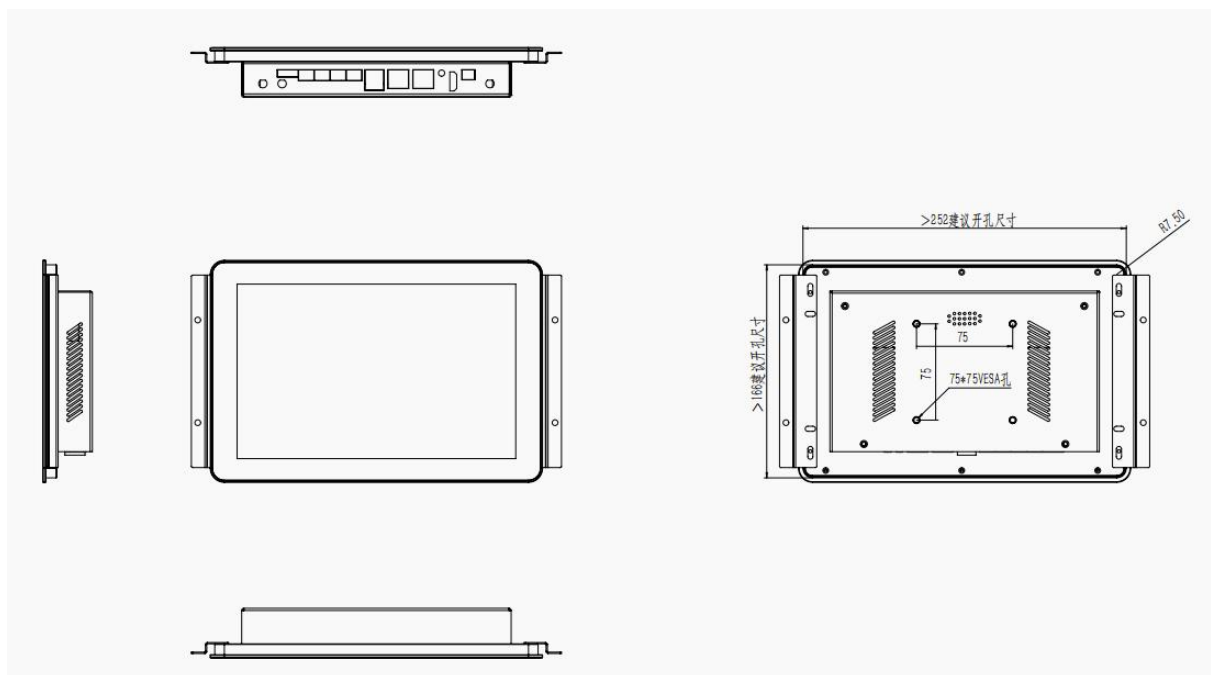
Product Feature

- RK3568, 4-core 64-bit CPU, 2GHz frequency, ultra-high performance, fast operation;
- Multi-serial port, 2 RS485, 2 RS232 interface;
- Rich interface, HDMI output, two USB 3.0 interface;
- 10.1 inch touch screen, the picture display is clearer;
- Standard Linux Ubuntu system, desktop operation is more convenient.
- Embedded Node-RED graphical design, development is simpler and faster, can load more protocol libraries to achieve rapid programming.
- Built-in WukongEdge edge application service makes it easier and faster to use.
- Strong edge gateway function, support edge acquisition, edge calculation, group reporting, support 2000 real-time point acquisition, support point expansion;
- Rich acquisition protocols, support standard Modbus and all kinds of main stream PLC protocol acquisition, support a variety of industry protocol acquisition.
- Linkage control, support multi-point linkage, support linkage SMS alarm, linkage platform alarm, linkage point control, linkage DO control.
- A variety of protocol conversion, Modbus, OPC UA, power protocol, building protocol and other protocol conversion integration.

Product Parameters

Processor CPU	Rockchip RK3568 ARM quad-core 64-bit processor,clocked up to 2.0GHz
Graphics processor GPU	ARM G52 2EE GPU Supports OpenGL ES1.1/2.0/3.2,OpenCL2.0,Vulkan1.1, embedded high-performance2D acceleration hardware
Neural Network Processing NPU	Built-in neural network process or NPU,1.0TOPS@INT8 functionality; Support Caffe/Mxnet/TensorFlow/TFLite/ONNX/Darknet ect.
Operating system	Linux Ubuntu 20.04
MemoryDDR	DDR4 4GB
Storage	eMMC 32GB
Touch screen	10.1 inch/800*1280 resolution/capacitive
Network	Support 2*Ethernet 10/100 Mbps, support Ethernet
	Support 2.4GHz Wi-Fi 802.11b/g/n
	Support 4G functionality (default factory 4G, WiFi version not supported)
GPS	Built-in GPS/BD module, sensitivity:-162dBm; Receiving frequency:1575.42MHz Satellite channel: 20 channel Positioning accuracy: <10m (Only GL version support)
SIM	Nano SIM card holder for cellular networking
Display interface	1* HDMI OUT2.0; Support 4K60fps output
Audio	1*Headset output
RTC	Built-in real-time clock power supply battery, support timing switch machine
USB	1* USB3.0 HOST 1 *USB3.0 OTG (compatible upgrade, default HOST function)
Key	1*Upgrade key
Serial port	2*RS232 ,2*RS485
Mains input	DC12V/5.5mm Core 2.1 mm DC Head 2A- 5A (Surge voltage < 18V required,striated Wave voltage < 100mV), support power-on self-start or power-on press the power button to start
Operating temperature	0 - 50°C
Storage temperature	-20 - 80 °C
Operating humidity	10%-80%
Size	160mm*85mm*28mm
Multimedia	Support 4K 60fps H.265/H.264 video decoding Support 1080P 100fps H.265/H.264 video encoding Support 8M ISP, support HDR
Language support	English by default, downloadable in other languages
Input method	Standard Android keyboard with optional third-party input methods (Chinese, Korean, Japanese, etc.)

Product Details



Product Selection

Product model	Ethernet	IO	Wireless network	Support regional	Support band
USR-SH800-G4	√	√	LTE Cat4+ WiFi 2.4GHz	China, India	LTE TDD: Band 34/38/39/40/41 LTE FDD: Band 1/3/5/8 GSM: 900/1800MHz WiFi: IEEE802.11b/g/n/ac (2.4-2.4835GHz)
USR-SH800-GL	√	√	LTE Cat4+ WiFi 2.4GHz	GSM (global system for mobile communications)	LTE-FDD: B1/B2/B3/B4/B5/B7/B8/B12/B13/B18/B19/B20/B25/B26/B28/B66 LTE-TDD: B34/B38/B39/B40/B41 WCDMA: B1/B2/B4/B5/B6/B8/B19 GSM: B2/B3/B5/B8 GPS: GPS/GLONASS/BDS/Galileo/QZSS WiFi: IEEE802.11b/g/n/ac (2.4-2.4835GHz)
USR-SH800-CEW	√	×	2.4GHz	GSM (global system for mobile communications)	IEEE802.11b/g/n/ac 2.4-2.4835GHz



Your Trustworthy Smart IOT Partner



Official Website: www.pusr.com

Official Shop: shop.usriot.com

Technical Support: h.usriot.com

Inquiry Email: inquiry@usriot.com

Skype & WhatsApp: +86 13405313834

Click to view more: [Product Catalog](#) & [Facebook](#) & [Youtube](#)